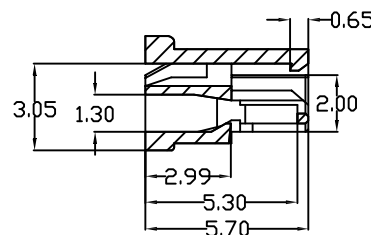
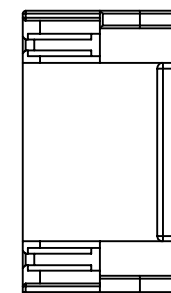
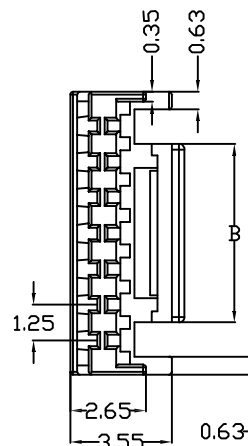
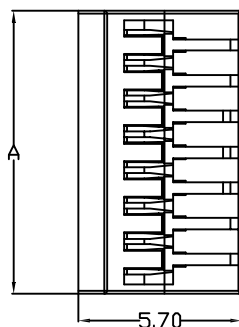
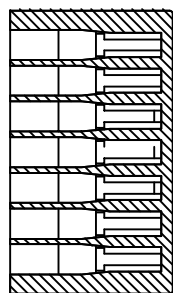
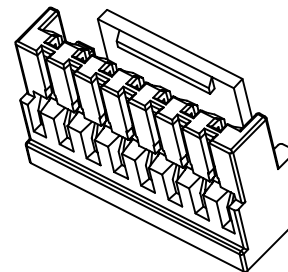
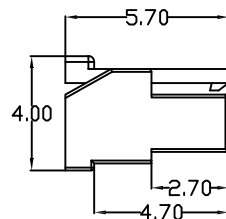
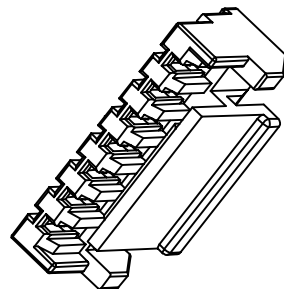


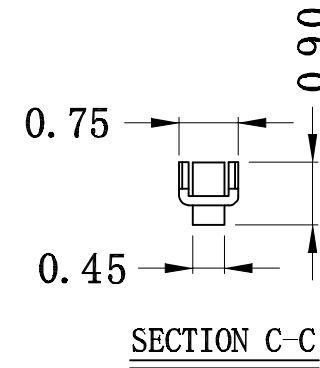
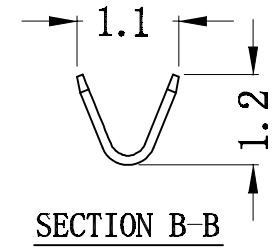
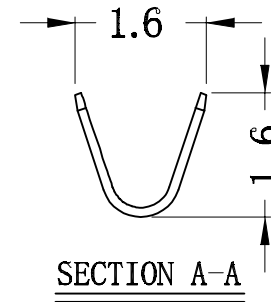
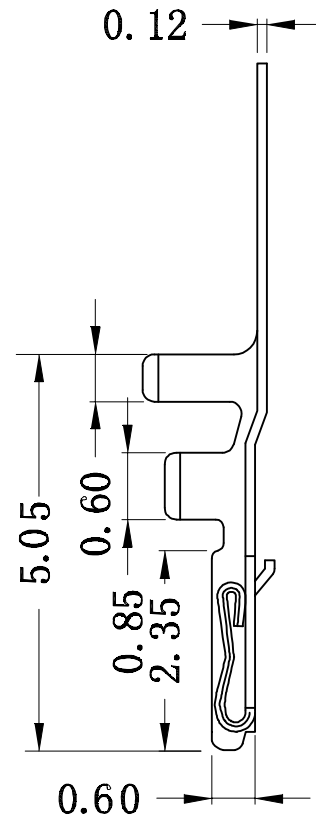
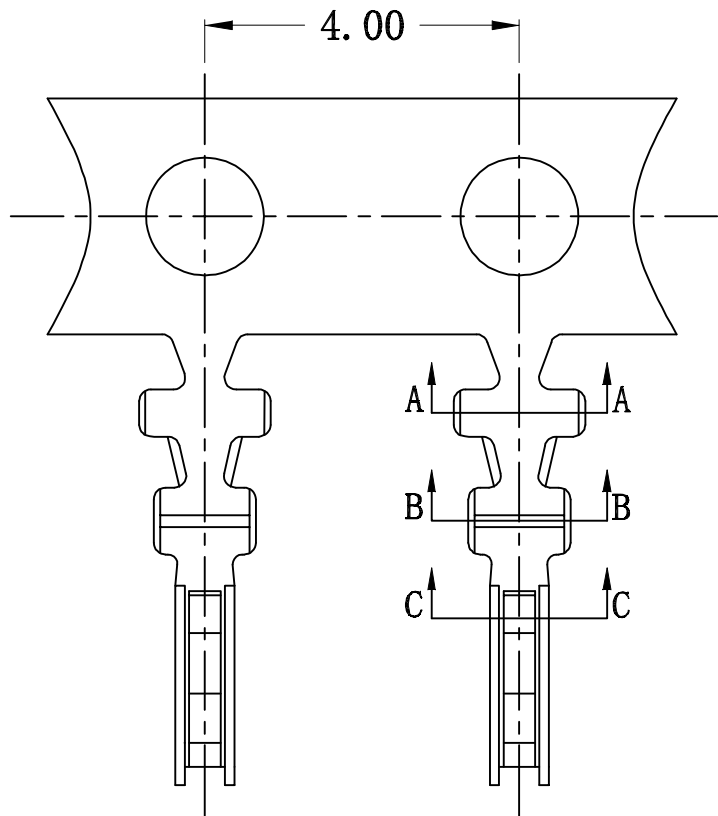
环保物料



	A	B
2P	3.65	2.00
3P	4.90	3.00
4P	6.15	4.25
5P	7.40	4.25
6P	8.65	6.25
7P	9.90	6.25
8P	11.15	6.25
9P	12.40	6.25
10P	13.65	8.25
11P	14.90	8.25
12P	16.15	8.25
13P	17.40	8.25
14P	18.65	8.25
15P	19.90	8.25
16P	21.15	8.25

Specifications:	
Poles	N poles
Pitch Between Poles 1	.25mm
Rated Voltage	50V AC,DC
Withstand Voltage	500V AC/minute
Contact Resistance	30mΩ (MAX.)
Insulation Resistance	100mΩ (MIN.)
Temperature Range	-25° C~+85° C
Applicable Wire Range	AWG#30~#26
Material: Nylon66 UL94V-0, Halogen-Free	

				东莞市翰皓精密电子有限公司 Dongguan HanHao Precision Electronics Co.,Ltd				料号 PART NO J1259H-XX					
				一般公差 GENERAL TOLERANCE .X ±0.3 .XX ±0.2 .XXX ±0.1				品名 TITLE 1.25mm Crimp Style connectors					
2011/06/30	A	B	修改图框格式			核准 APPD	审核 CHK	绘图 DR	日期 DATA	单位 UNIT	比例 SCALE	图号 NUMBER	版次 REV
日期 DATE	旧版次 OLD REV	新版次 NEW REV	变更内容 DESCRIPTION	审核 CHK	核准 APPD			刘小菊	2010/11/10	MM	1/1		B
				角法 PROJECT 									



Part No	Wire Range	Insulation O.D.	Material	Finish	Qty/reel
J1259T	AWG #28~#32	1.00mm(max)	Phosphor Bronze	Tin-plated	15,000 pcs

DATE	OLD REV	NEW REV	ECN	DESCRIPTION	CHECK	APPROVAL
2011/04/22	A	B		Modify frame format	Jova	Jova Lau

GENERAL TOLERANCE .X ±0.30 .XX ±0.20 .XXX ±0.10				东莞市翰皓精密电子有限公司 Dongguan HanHao Precision Electronics Co.,Ltd			
APPROVAL	CHECK	DRAWN	DATA	PROJECT 			
Smark	Yu wei	Liu Yan	2010/05/22				

PART NO. J1259T			
TITLE 1.25 mm Crimp Style Connectors			
UNIT	SCALE	NUMBER	REV
mm	1:1		B